

CE:0038

DOUBLE FLANGE, BUTTERFLY VALVE



Technical Data

Size Range 50mm – 1200mm

Design

In accordance to AS4795 /

ISO5752

Pressure Rating PN16 (PN10 700mm-1200mm)

Pressure testing ISO5208

Flange Drilling AS4087 PN16 (Table D)

Coating Fusion Bonded Epoxy

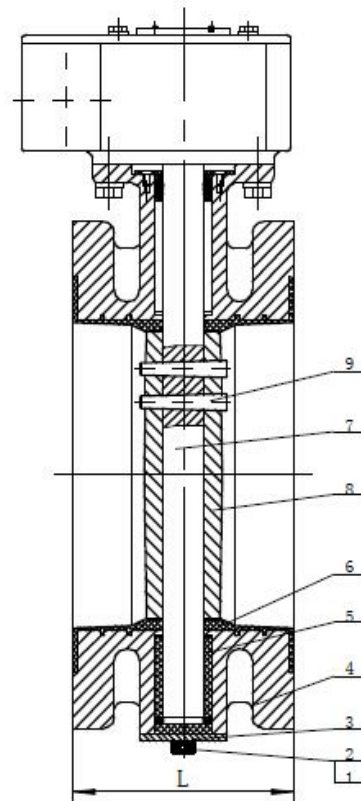
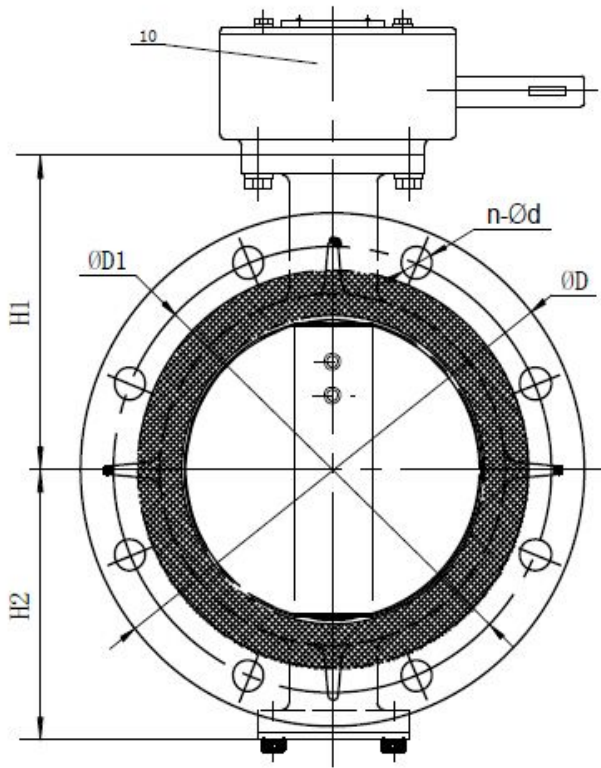
Temperature range -10°C to +90°C (EPDM seat)



NO.	Description	Material
1	BODY	GG25,GGG40,GGG50,WCB
2	DISC	GGG40,CF8,CF8M,CF3M,AL-B
3	STEM	SS416/420,CF8,CF8M
4	SEAT	EPDM.NBR
5	O-RING	EPDM/NBR
6	Bushing	PTFE
7	Circlip	STEEL
8	Retainer	STEEL

CE:0038

DOUBLE FLANGE, BUTTERFLY VALVE

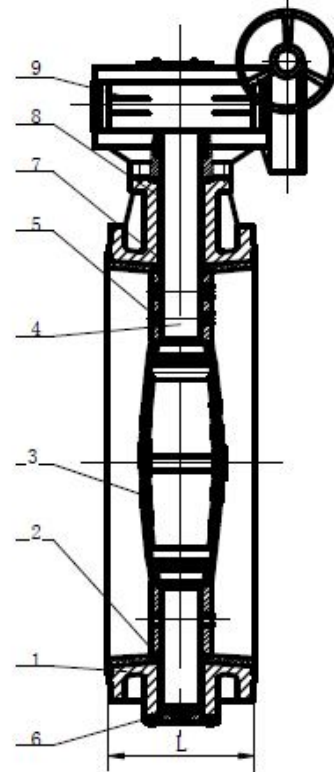
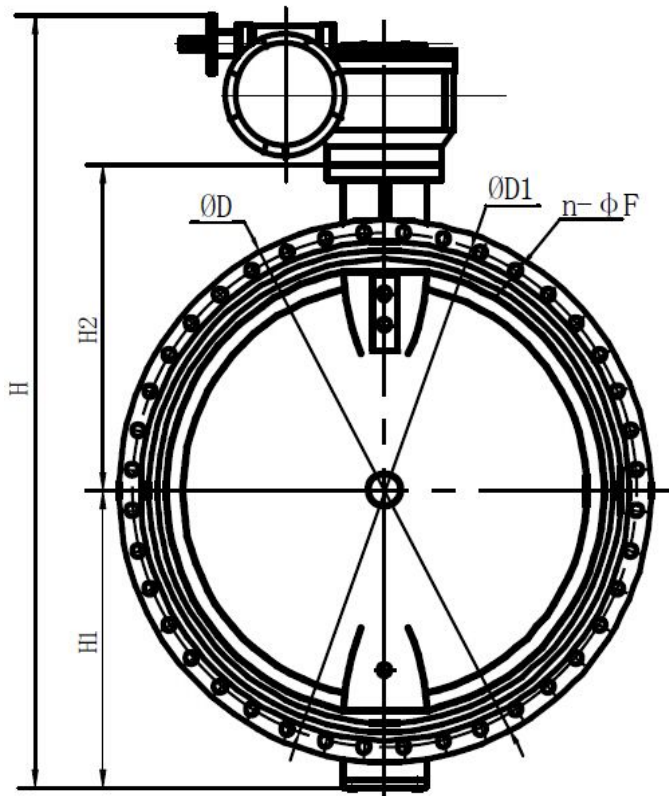


Unit:mm

Size	ΦD	PN10		PN16		H1	H2	L	Weight
		ΦD1	n-Φd	ΦD1	n-Φd				
DN50	165	125	4-Φ18	125	4-Φ18	110	80	108	13
DN65	185	145	4-Φ18	145	4-Φ18	134	80	112	14
DN80	200	160	4-Φ18	160	8-Φ18	131	95	114	15
DN100	220	180	8-Φ18	180	8-Φ18	150	114	127	19
DN125	250	210	8-Φ18	210	8-Φ18	170	113	140	22
DN150	285	240	8-Φ23	240	8-Φ23	180	139	140	27
DN200	340	295	8-Φ23	295	12-Φ23	210	175	152	45
DN250	405	350	12-Φ23	355	12-Φ27	245	203	165	58
DN300	460	400	12-Φ23	410	12-Φ27	276	242	178	85
DN350	520	460	12-Φ23	470	12-Φ27	328	256	190	122

CE:0038

DOUBLE FLANGE, BUTTERFLY VALVE



Unit:mm

Size	ΦD	PN10		PN16		H1	H2	L	Weight
		ΦD1	n-Φd	ΦD1	n-Φd				
DN400	580	515	16-Φ27	525	16-Φ30	296	376	216	195
DN450	640	565	20-Φ27	585	20-Φ30	315	406	222	245
DN500	715	620	20-Φ27	650	20-Φ33	352	448	229	290
DN600	840	725	20-Φ30	770	20-Φ36	441	518	267	425
DN700	910	840	24-Φ30	840	24-Φ36	473	560	292	650
DN800	1025	950	24-Φ33	950	24-Φ39	527	620	318	665
DN900	1125	1050	28-Φ33	1050	28-Φ39	581	685	330	800
DN1000	1255	1160	28-Φ36	1170	28-Φ42	653	735	410	1200
DN1200	1485	1380	32-Φ39	1390	32-Φ48	796	917	479	1400